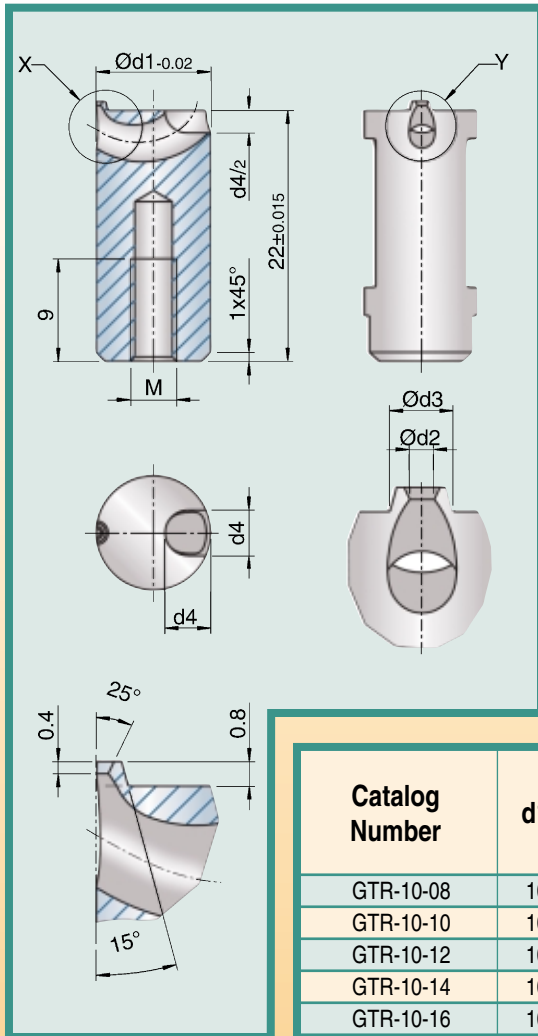




Cashew Gate Inserts

Ø 10mm

For shot weights up to 40g

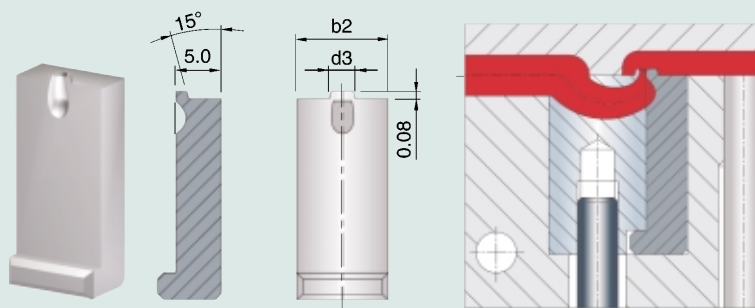


- Manufactured in a solid one-piece unit using the Metal Injection Molding (MIM) process.
- Optimal balancing of cavity filling due to the exactness of MIM.
- Hardened to 60HRC and polished.
- Anti-rotation locking molded into all round inserts. However in most cases the insert is adequately held by the capscrew.

Catalog Number	d1	d2	d3	d4	M	Viscosity		
						high flowability	regular flowability	low flowability
GTR-10-08	10	0,8	2,1	4	4	8	7	5
GTR-10-10	10	1,0	2,3	4	4	14	12	9
GTR-10-12	10	1,2	2,5	4	4	20	16	10
GTR-10-14	10	1,4	2,7	4	4	30	23	15
GTR-10-16	10	1,6	2,9	4	4	40	30	20

Weight in grams

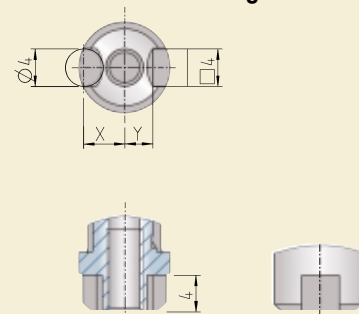
Technical Information:



Dead-End Recess Auxiliary Insert for GTE Series

A dead-end recess breaking the force of the melt flow can be machined either into an auxiliary insert or directly into the cavity. The auxiliary insert should be made from a highly wear-resistant steel with a hardness of 60HRC. The dimensions b2 and d3 depend on the size of the cashew gate insert selected. For recess geometries in various CAD formats please refer to the Exaflow website.

Anti-Rotation Locking Dimensions



Catalog Series	Parallel Pin distance 'X'	Key distance 'Y'
GTR-10	4,5 mm	3,0 mm

CAD files available at:
www.exaflow.com

