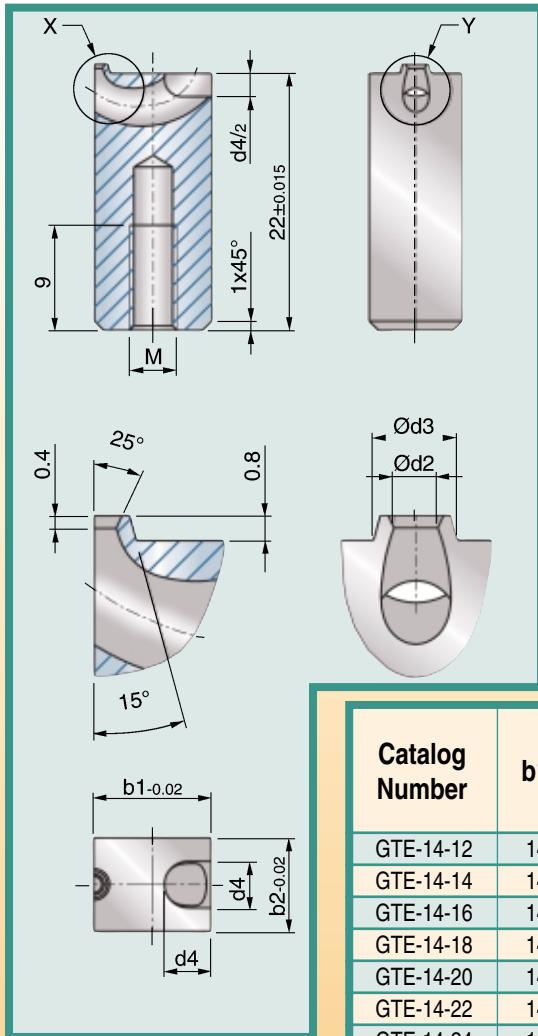




# Cashew Gate Inserts

14mm

For shot weights up to 100g



Actual Size

External View

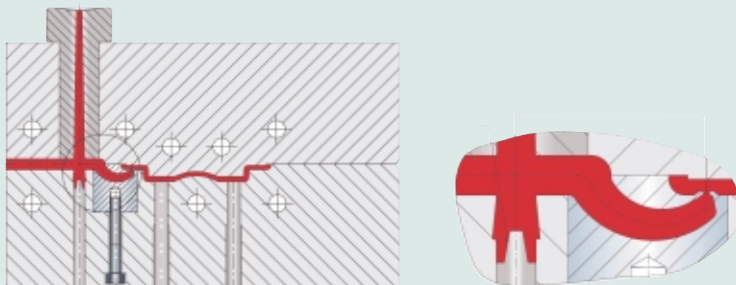
Cutaway View

- Manufactured in a solid one-piece unit using the Metal Injection Molding (MIM) process.
- Optimal balancing of cavity filling due to the exactness of MIM.
- Hardened to 60HRC and polished.
- Ideal for thin wall parts.

Catalog Number	b1	b2	d2	d3	d4	M	Viscosity		
							high flowability	regular flowability	low flowability
GTE-14-12	14	12	1,2	2,5	6	6	20	16	10
GTE-14-14	14	12	1,4	2,7	6	6	30	23	15
GTE-14-16	14	12	1,6	2,9	6	6	40	30	20
GTE-14-18	14	12	1,8	3,1	6	6	54	40	27
GTE-14-20	14	12	2,0	3,3	6	6	68	52	34
GTE-14-22	14	12	2,2	3,5	6	6	85	65	43
GTE-14-24	14	12	2,4	3,7	6	6	100	80	50

Weight in grams

## Installation Example

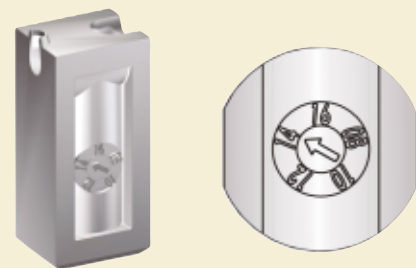


### Thermoplastic Elastomers

When processing thermoplastic elastomers, please observe the following recommendations to ensure reliable de-molding.

- the distance 'L' should decrease with the Shore hardness value
- a centering cone should be used
- this installation example applies to elastomers in the medium Shore hardness range (up to 100 Shore A)

All inserts have the gate diameter 'd2' molded into them.



CAD files available at:  
www.exaflow.com

